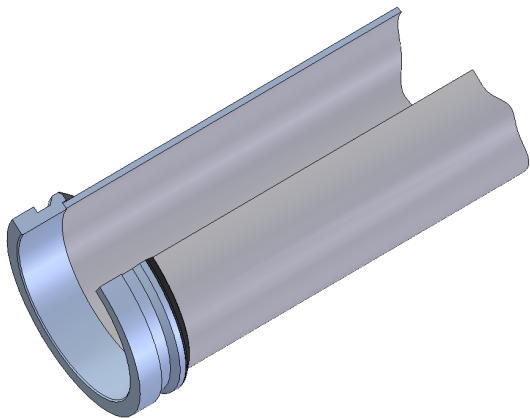


# PIPE ST52

## THE STANDARD PRODUCT IN TOP QUALITY



### ADVANTAGES:

- Our ST52.0 pipes are made of first quality class steel alloy.
- The process of welding of the collars is executed with automatic machines MIG in order to guaranteeing the perfect held and an operating pressure of 85 bars.
- All the tubes come painted with primer antirust and are supplied in packages of 10 pieces.
- Range of production is from 2" to 6" collars: Victaulic, SCH, ZX, ORZ, and others.



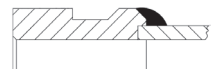
Also available in raw material in bars 6 mt. long

### TECHNICAL CHARACTERISTICS:

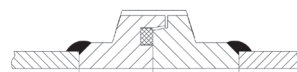
- Steel grade ST52.0 (S 355).
- Operating pressure 85 bar.
- Calibrated thickness 4mm.
- **Antirust painting.**
- Packing in bundles 10 by 10.

**“THE CLASSIC STEEL  
FOR THE REALIZATION  
OF CONCRETE DELIVERY  
LINES”**

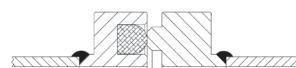
### Examples of most common collars:



Connection Type Victaulic



Connection Type ORZ



Connection Type SCH



**DALCOM**® s.r.l.

MACHINERY-EQUIPMENT-SPARE PARTS

Ravenna, Italy

Tel. (+39) 0544-451513

Fax. (+39) 0544-451361

[www.dalcom.it](http://www.dalcom.it) - [info@dalcom.it](mailto:info@dalcom.it)

“A World of technology” >>>